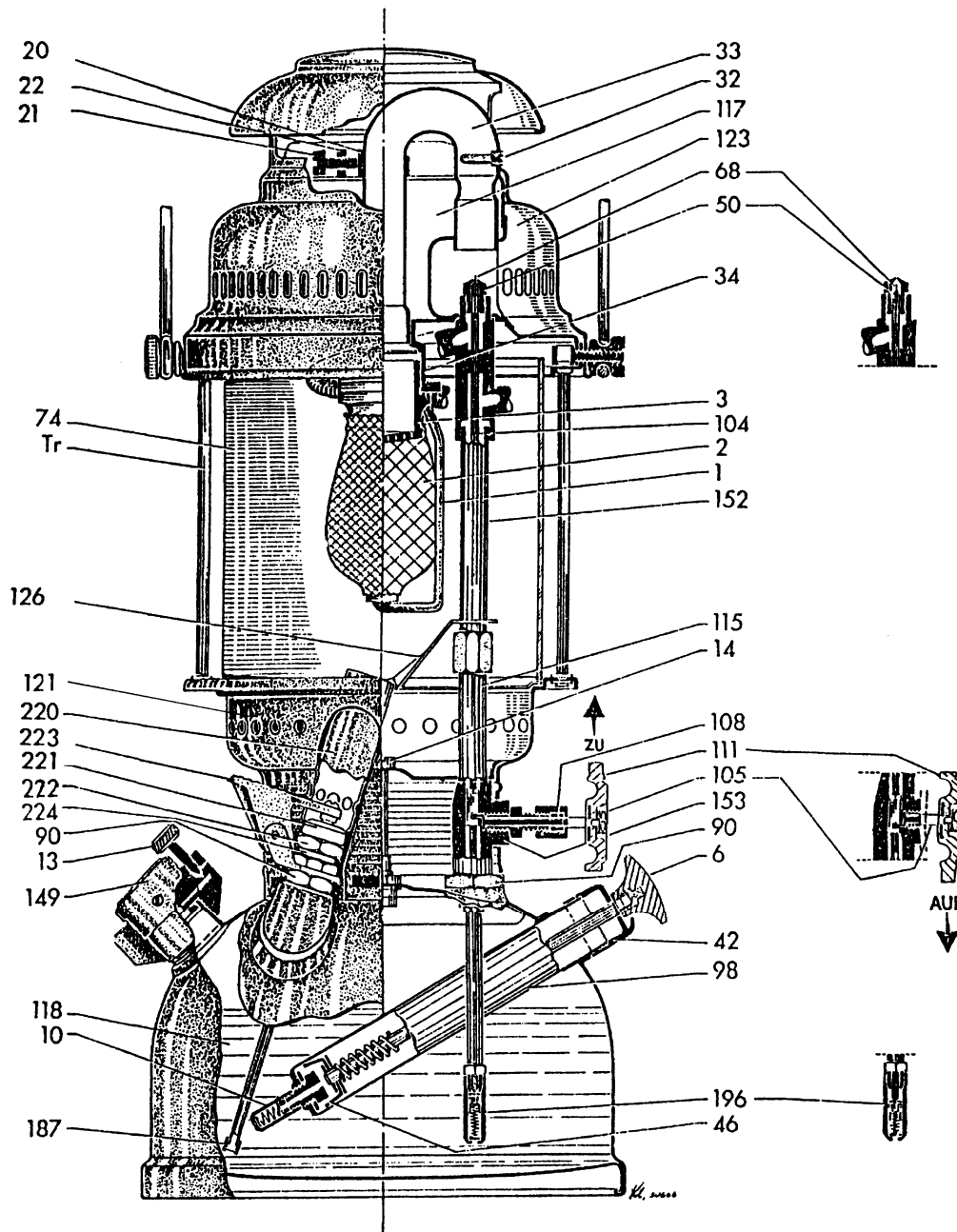


www.BRITELYT.com

727-856-9245

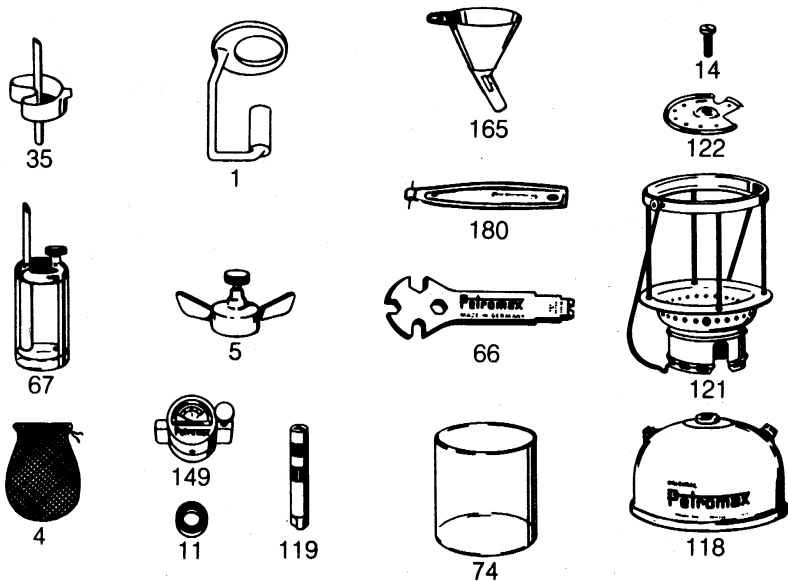


List of Spare Parts

ORIGINAL

Petromax

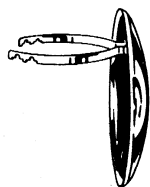
No.	Designation	Original Packing			
1	Mantle Support	4	100	Pump complete	2
2	Double support mantle (not illustrated)	10	101	Conducting rod	20
3	Nozzle	36	102	Counter nut for conducting rod	250
4	Soft mantle	100	103	Conducting piece	150
5	Filling screw cap complete with washer	20	104	Conducting rod complete	20
6	Pump piston complete	2	105	Excentre	50
10	Pump valve complete	20	107	Nipple for excentre	40
11	Washer for filling screw gauge or filling screw cap	100	108	Graphite packing	250
14	Screw for centre bottom 122	100	111	Hand-wheel	30
17	Check valve cone with rubber packing	200	112	Nut for wheel	250
18	Spring for check valve	200	113	Sleeve nut for excentre	50
20	Clip	50	114	Excentre complete	10
21	Screw	50	115	Vaporizer complete with excentre and conducting rod	3
22	Cross-bar	50	117	Inner casing complete	1
33	Mixing tube with regulating screw	6	118	Container without fittings	1
34	Gas chamber	10	119	Key for needle	100
35	Heating cup	10	121	Frame complete with bail	1
40	Pump knob	40	122	Centre bottom plate	10
41	Fixing disc	250	123	Hood with top	1
42	Cap for pump barrel	25	125	Inner casing with 20, 21 and 22	1
43	Pump piston-rod	50	148	Upper part, complete	1
44	Spring for pump	50	149	Filling screw gauge	6
45	Pump piston plate	100	152	Vaporizer upper part	3
46	Leather washer	50	153	Vaporizer lower part	6
47	Pump piston nut	250	165	Plastic filling funnel with sieve	2
50	Nipple	50	180	Cleaning needle for RAPID preheating device	100
66	Spanner with gauge	6	187	Sieve for RAPID preheater	50
67	Filling can	2	191	Valve bar	20
68	Needle	250	193	Valve washer	200
74	Glass chimney	12	194	Valve spring	200
83	Valve washer	250	195	Valve shell	20
90	Lead washer for vaporiser and preheating device	100	196	Vaporizer valve compl.	20
98	Pump barrel	2	220	Flame protecting tube	25
			221	Nipple for RAPID preheater	50
			222	Nut for nipple	50
			223	Tip complete	6
			224	Connecting piece for RAPID preheater	25
			225	Connecting piece complete (90, 187, 224)	25
			226	RAPID preheating device complete	6
			227	Disc for wheel 111	250
			229	Check packing with screw for RAPID preheater	250



Reflector

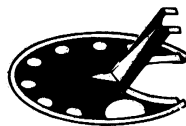
No. 2013 Ø 28 cm for Nos. 821, 827
 No. 2014 Ø 35 cm for Nos. 826, 523, 828, 829

The PETROMAX reflector concentrates the light and spreads it without shadows.



Side reflector No. 2002

This PETROMAX accessory is a concave mirror of 17 mm Ø with collapsible fixing straps. It fits all PETROMAX lanterns. The side reflector amplifies the light power three times and leads the beam into the wished direction.



Protection Plate No. 126

for lanterns Nos. 826, 523, 828, 829. The use of this accessory allows the further operating of the lamp for a short while with a broken mantle, without danger of unsoldering of the container.

